

NEON LED TUBE LIGHT

Greeled Neon led tube ribbons are with the new silicone integrated extrusion molding technology, using environment-friendly and UV-resistant silicone materials. They have excellent pliability to shape optionally, they are uniform and soft luminance, dot-free, high brightness and even mixture of colors. They are IP67 waterproof level for outdoor using.

We have the following different kinds of neon led tube lights.

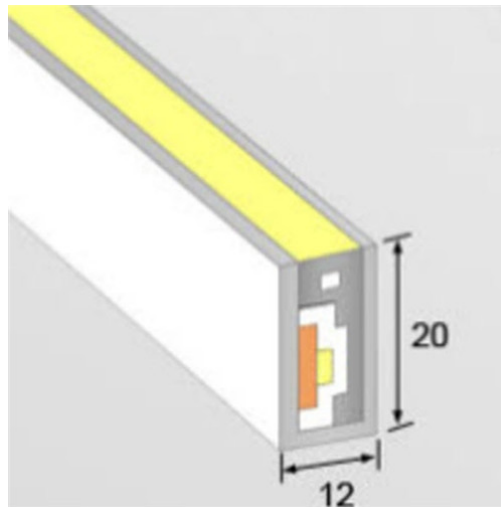


A1 series: 12mm*22mm, 270degree View angle. Mainly used for below products
(with max 10mm width PCB):

Digital led strip series: WS2811/UCS1903/SM16703 12V addressable led strip, WS2815 12V addressable led strip, GS8208 Interior chip led strip, GE8808 Interior chip led strip.

Analog led strip series: SMD2835 led tape, SMD3014 led tape, Constant current led tape,
High efficacy led tape.

LED QTY requirements: More than 60leds Per meter. Voltage Requirements: DC12V/DC24V

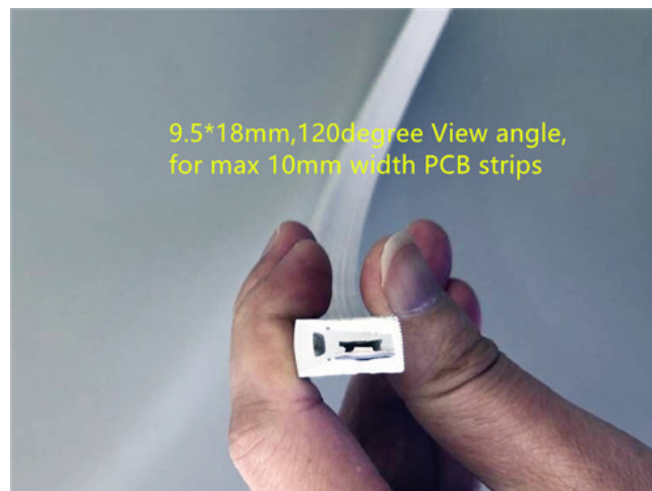


A2 series: 12mm*20mm, 120degree View angle, Mainly used for below products
(with max 10mm width PCB):

Digital led strip series: WS2811/UCS1903/SM16703 12V addressable led strip, WS2815 12V addressable led strip, GS8208 Interior chip led strip, GE8808 Interior chip led strip.

Analog led strip series: SMD2835 led tape, SMD3014 led tape, Constant current led tape, High efficacy led tape.

LED QTY requirements: More than 60leds Per meter. Voltage Requirements: DC12V/DC24V



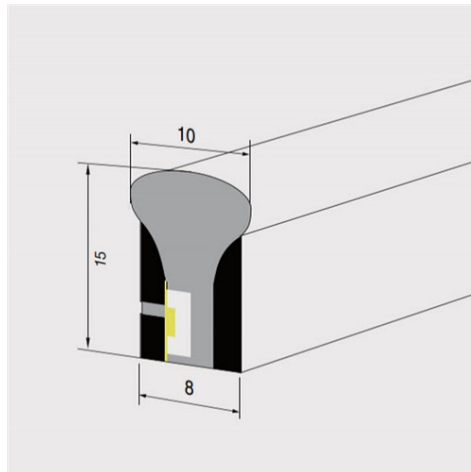
A3 series: 9.5mm*18mm, 120degree View angle, Mainly used for below products
(with max 10mm width PCB):

Digital led strip series: WS2811/UCS1903/SM16703 12V addressable led strip,

WS2815 12V addressable led strip, GS8208 Interior chip led strip,
GE8808 Interior chip led strip.

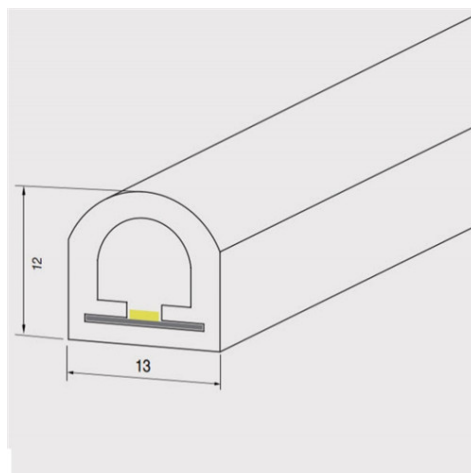
Analog led strip series: SMD2835 led tape, SMD3014 led tape, Constant current led tape,
High efficacy led tape.

LED QTY requirements: More than 60leds Per meter. Voltage Requirements: DC12V/DC24V



A4 series: 8mm*15mm, 160degree View angle, Mainly used for 5mm width SMD2835 led strip

LED QTY requirements: More than 60leds Per meter. Voltage Requirements: DC24V



A5 series: 13mm*12mm, 160degree View angle, it is suitable for Digital led strip and
Analog led strip with 10mm width PCB.

Digital led strip series: WS2811/UCS1903/SM16703 12V addressable led strip,

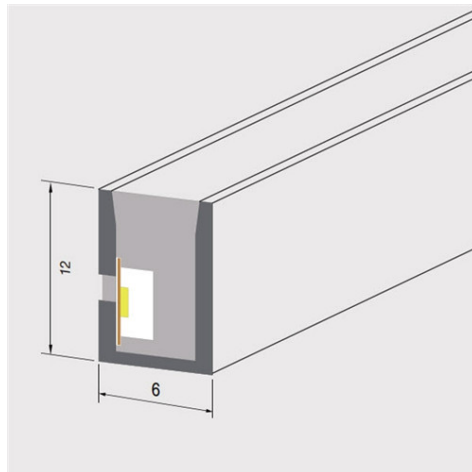
WS2815 12V addressable led strip,

GS8208 Interior chip led strip,GE8808 Interior chip led strip.

[Analog led strip series](#): SMD2835 led tape, SMD3014 led tape, Constant current led tape,

High efficacy led tape.

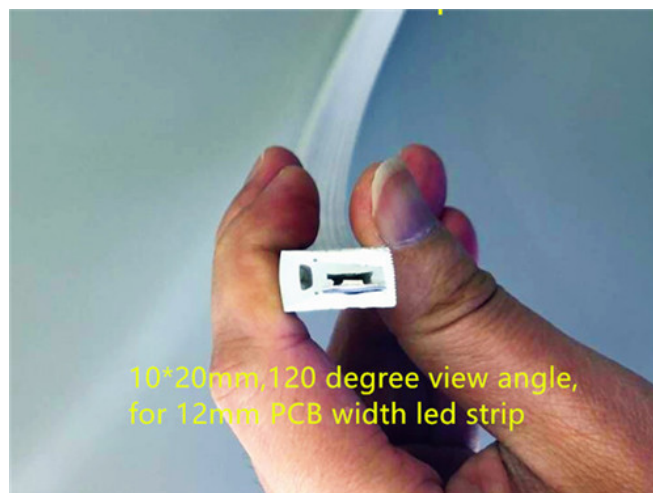
LED QTY requirements: More than 60leds Per meter. Voltage Requirements: DC12V/DC24V



A6 series: 6mm*12mm, 160degree View angle, Mainly used to [8mm width SMD2835 led strip](#)

LED QTY requirements: More than 60leds Per meter.

Voltage Requirements: DC24V



A7 series : 10mm*20mm, 120degree View angle. Mainly used to Digital led strip or Analog led strip with Max 12mm width PCB.

[Digital led strip series](#): Suitable for all led strips of A1 series. 12V 48 leds/m WS2801 led strip, GS8208 led strips 144leds/m, WS2815 led strips 144leds/m

[Analog led strip series](#): Max PCB width 12mm ‘ SMD2835 led tape, SMD3014 led tape, Constant currant led tape,High efficacy led tape.

LED QTY requirements: More than 48leds Per meter. Voltage Requirements: DC12V/DC24V



A8 series (Newest): 12mm*25mm ,270 degree View angle. Used for Digital led strip or Analog led strip with Max 12mm width PCB:

[Digital led strip series](#): Suitable for all led strips of A1 series.

12V 48 leds/m WS2801 led strip,
GS8208 led strips 144leds/m, WS2815 led strips 144leds/m

[Analog led strip series](#): Max PCB width 12mm, SMD2835 led tape, SMD3014 led tape, Constant currant led tape, High efficacy led tape.

LED QTY requirements: More than 48leds Per meter. Voltage Requirements: DC12V/DC24V